



Head office address: 241 Bradwick Drive, Concord, Ontario, Canada L4K 1K5

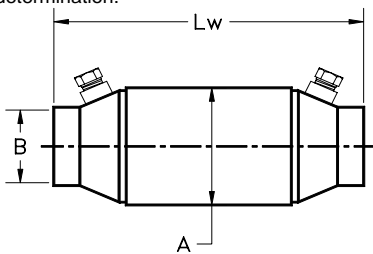
Mailing address: P.O. Box 90, Concord, Ontario, Canada L4K 1B2

Tel: (905) 660-6450 Toll free: 1-800-872-1968 Fax: (905) 660-6435 E-mail: info@dcl-inc.com Website: www.dcl-inc.com

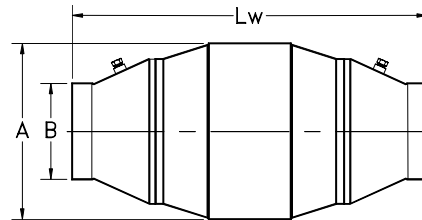
## MINE-X® OXIDATION CATALYTIC PURIFIER DIMENSIONS

	DC2	DC3	DC4	DC5	DC6	DC7	DC8	DC10	DC12	DC14	DC16	DC18
Max Engine Power hp ( kW )*	9 (7)	16 (12)	32 (24)	53 (40)	84 (63)	123 (92)	168 (125)	248 (185)	363 (271)	456 (340)	733 (547)	1114 (831)
Max Exhaust Gas Flow cfm (m <sup>3</sup> /h)*	50 (85)	95 (160)	180 (310)	300 (515)	480 (820)	705 (1205)	965 (1640)	1425 (2425)	2080 (3540)	2615 (4445)	4130 (7025)	6355 (10810)
Approx. Weight – DP lb (kg)	0.5 (0.2)	1.0 (0.4)	1.8 (0.8)	2.7 (1.2)	3.9 (1.8)	5.5 (2.6)	6.9 (3.1)	10.6 (4.8)	13.7 (6.2)	15.9 (7.2)	24.8 (11.3)	-
Approx. Weight – DQ lb (kg)	-	-	3.6 (1.6)	4.9 (2.2)	6.6 (3.0)	8.3 (3.8)	10.3 (4.7)	14.0 (6.3)	17.1 (7.7)	19.3 (8.7)	28.2 (12.8)	-
A – Diameter in (mm)	1.60 (40)	2.43 (62)	3.12 (79)	4.00 (102)	5.00 (127)	6.00 (152)	7.00 (178)	8.50 (216)	10.12 (257)	11.50 (292)	14.50 (368)	17.87 (454)
L <sub>w</sub> – Length in (mm)	6.50 (165)	6.00 (152)	7.25 (184)	9.20 (234)	9.62 (244)	10.37 (264)	12.00 (305)	17.05 (433)	17.06 (433)	18.42 (468)	21.04 (534)	-
L <sub>c</sub> - length in (mm)	-	-	8.00 (203)	9.60 (244)	10.00 (254)	10.85 (276)	12.35 (314)	17.50 (445)	17.50 (445)	18.80 (478)	21.50 (546)	-
C – clamp diameter in (mm)	-	-	4.22 (107)	5.25 (133)	6.25 (159)	7.25 (184)	8.25 (210)	8.25 (210)	8.25 (210)	8.25 (210)	8.25 (210)	-
B – exhaust pipe outside diameter	CUSTOMER SPECIFIED											

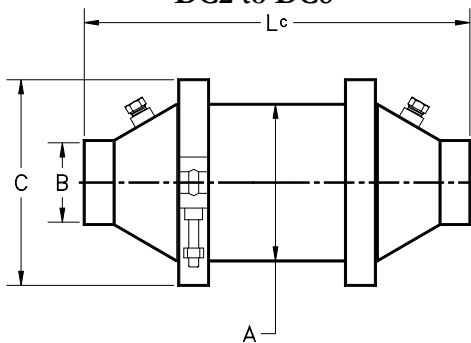
\*All sizes are based on an exhaust temperature of 480°C. This chart is for reference use only. Please contact DCL for final purifier size determination.



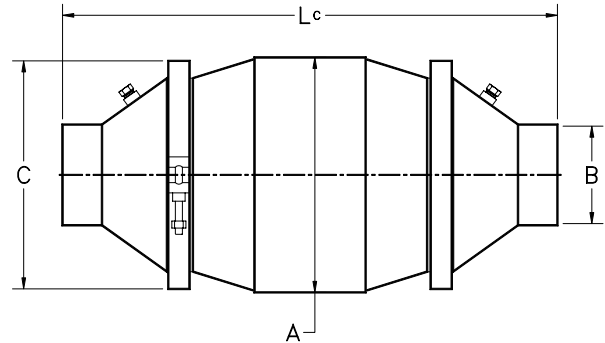
MINE-X® Welded Design (DP)  
DC2 to DC8



MINE-X® Welded Design (DP)  
DC10 to DC16



MINE-X® Clamped Design (DQ)  
DC4 to DC8



MINE-X® Clamped Design (DQ)  
DC10 to DC16

DCL's policy is that of continuous product improvement.  
DCL reserves the right to change any information without notice.